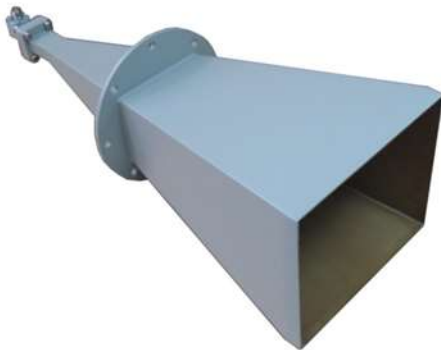




# STD. Gain Horn Antenna

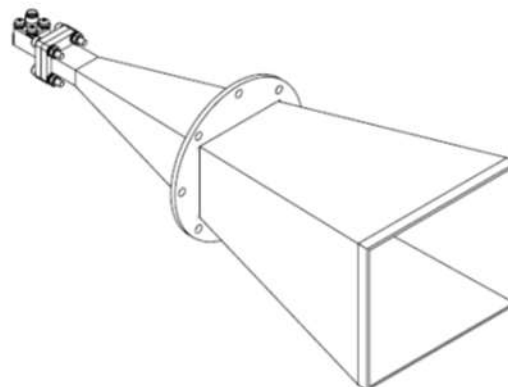
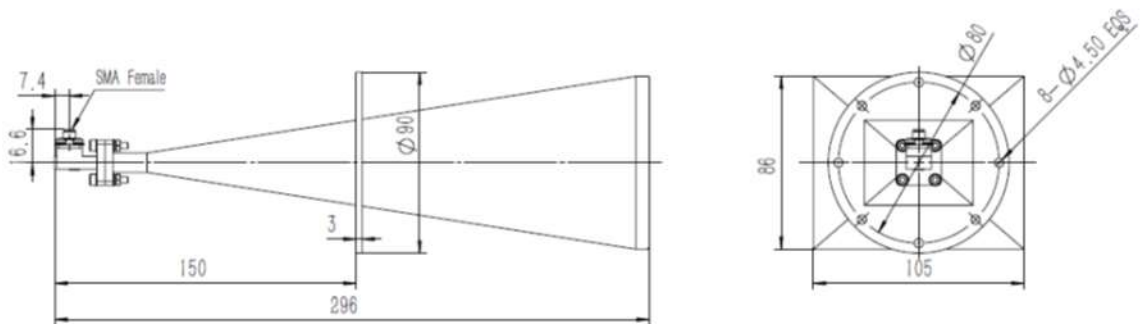
## Specification

### Model : MSGH42-25

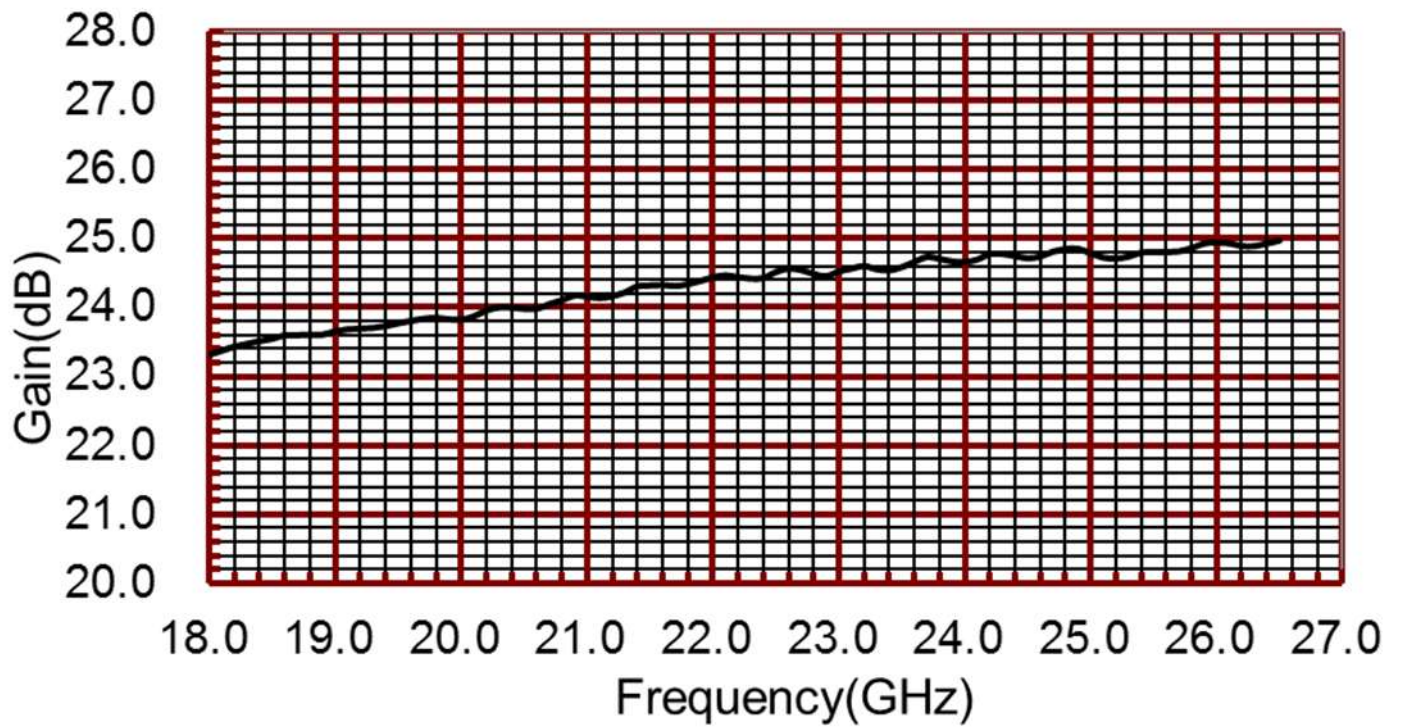


Frequency Range(GHz)	18.0 – 26.5
Gain(dB)	25 Typ.
3dB Beamwidth(deg)	10 Typ.
Waveguide	WR42
Material	Cu
Output	SMA-F
Size(mm)	105x90x296
Net Weight(Kg)	0.55 Around

## Outline Drawing (mm)



## Antenna Gain (typ.)



## Radiation Patterns (typ.)

