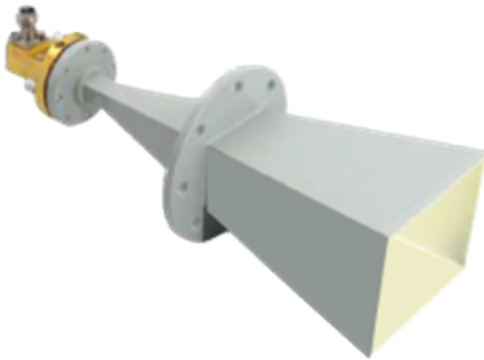




# STD Gain Horn Antenna

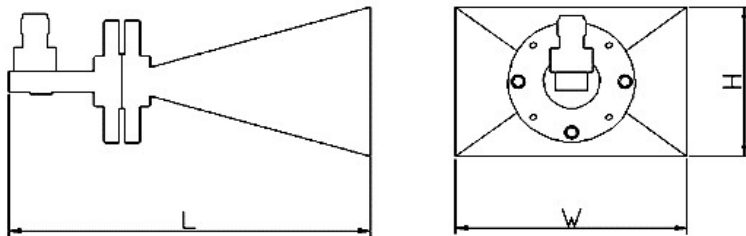
## Specification



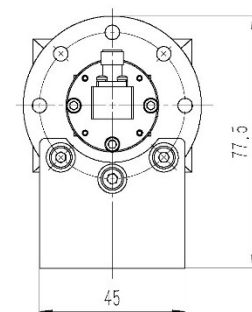
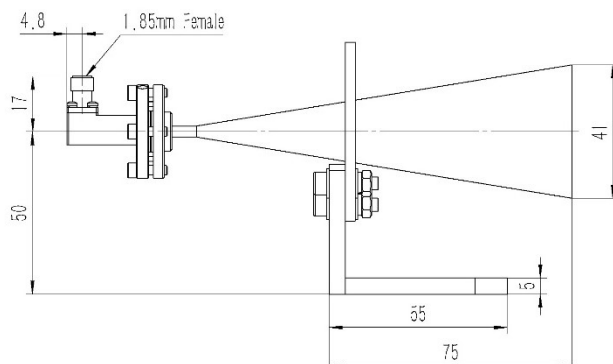
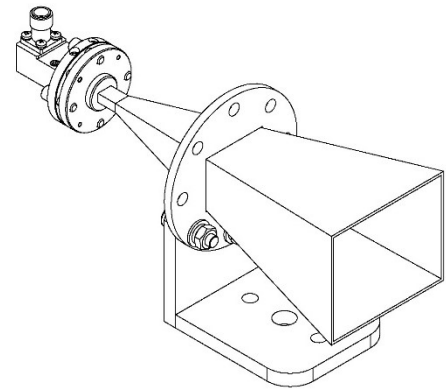
### Model : MSGH19-25-C2

Frequency Range (GHz)	40.0 - 60.0
Gain (dBi)	25 Typ.
3dB Beamwidth (deg)	E Plane: 9 Typ.
	H Plane: 11 Typ.
Waveguide	WR19
VSWR	1.25:1 Typ.
Output	1.85mm - Female
Size (mm)	55 x 55 x 156
Weight (Kg)	0.25 around

## Outline Drawing (mm)



$$W \times H \times L = 49 \times 41 \times 156$$



## Antenna Gain & Factor(Typ.)

