



Double Ridged Horn Antenna

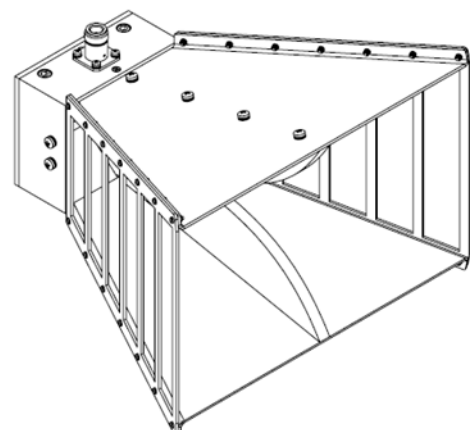
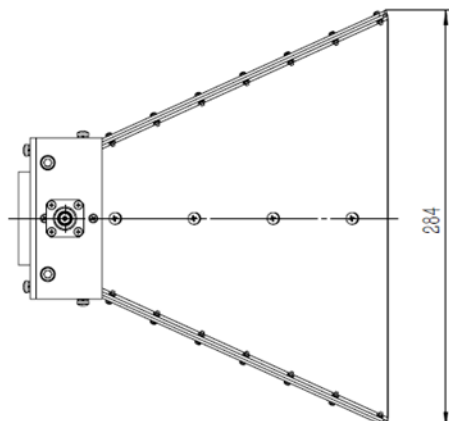
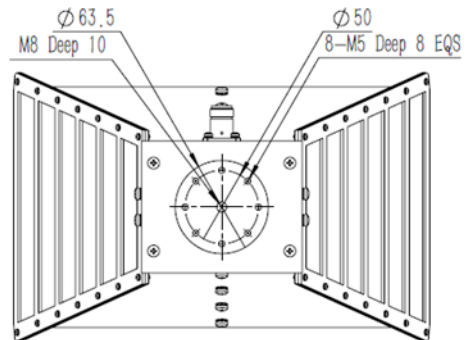
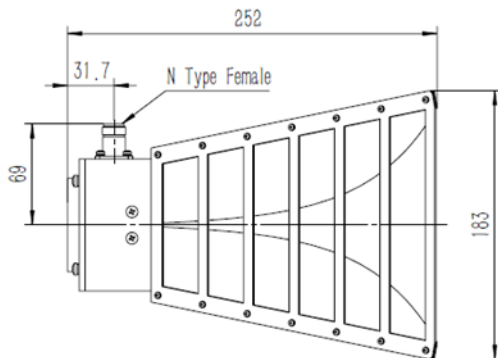
Specification



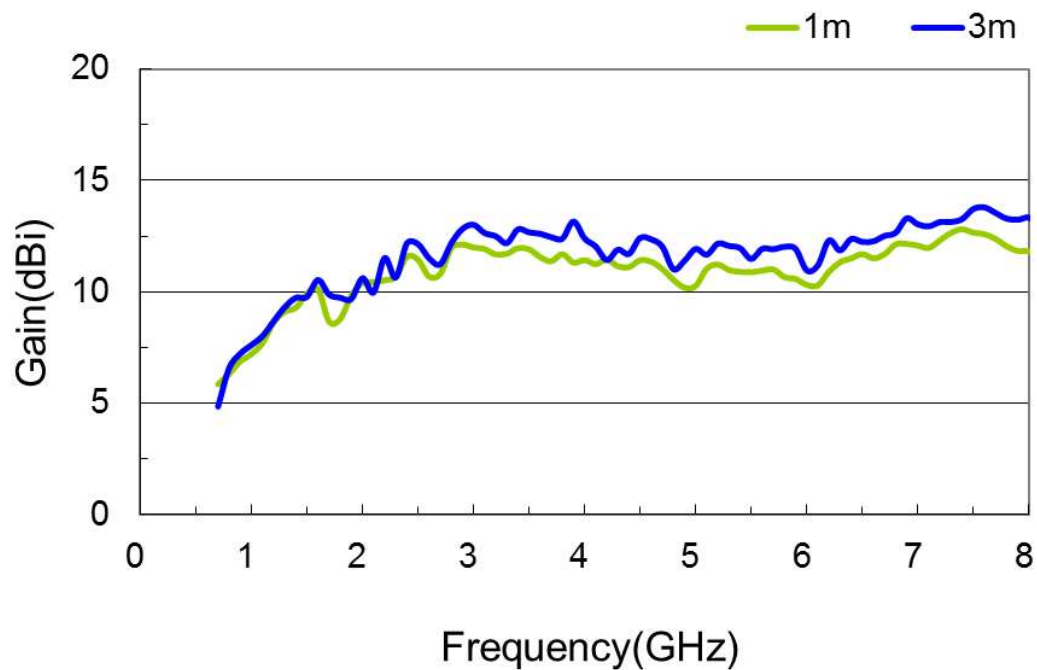
Model : MDH00708

Frequency Range(GHz)	0.7 - 8.0
Gain(dB)	10Typ.
Polarization	Linear
VSWR	2.0:1 Typ.
Impedance	50Ω
Connector	N-F or SMA-F
Size(mm)	284 x 183 x 252

Outline Drawing (mm)



Antenna Gain (typ.)



Radiation Patterns (typ.)

